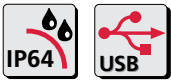


**Digital probe Millimar P2004 USB / P2004 A-USB / P2004 B-USB**



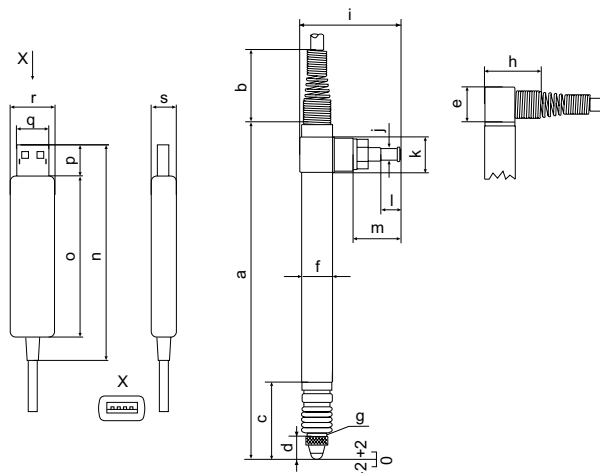
**Features**

- Models with or without a compressed air (pneumatic) lifter or with vacuum retraction
- Measuring pin mounted in ball-bearing guide
- High linearity over the entire measuring range
- Excellent electromagnetic shielding (EMC)
- All probes can be easily converted from axial to radial by mounting a slip on cap, included in the scope of supply
- **Scope of delivery:** Instruction manual, cap for radial cable output, Spanner for preliminary stroke setting, Software MarCom Standard

**Technical Data**

Order-no.		5326010	5323029	5323039
Product type		P2004 USB	P2004 A-USB	P2004 B-USB
Measuring range	mm		± 2	
Distance to upper stop	mm...mm		+2,2 ... 4,4	
Distance to lower stop	mm...mm		-2,2 ... 0	
Lifter / retraction			Vacuum Lifter (Standard option)	Compressed Air Retraction (max. 1 bar)
Error limit	µm		(0,4 + 0,8 x L) L in mm	
Repeatability f <sub>w</sub>	µm		0,1	
Hysteresis f <sub>u</sub>	µm		0,5	
IP protection category:			IP 64	
Cable length	m		2,5	
Temperature coefficient	µm/°C		0,15	
Compatibility			USB	

Order no.	a	b	c	d	e	f	h	i	j	k	l	m	n	o	p	q	r	s	g
	mm	mm	mm	mm	mm	mm	mm	mm	mm	mm	mm	mm	mm	mm	mm	mm	mm	mm	mm
5326010	88,7	28	21,3	6	9,2	8	14						85	63,5	12,5	12,5	17,8	10	M 2,5
5323029	88,7	28	21,3	6	9,2	8	14	26,5	3,6	9	8,3	12,5	85	63,5	12,5	12,5	17,8	10	M 2,5
5323039	88,7	28	21,3	6	9,2	8	14	26,5	3,6	9	8,3	12,5	85	63,5	12,5	12,5	17,8	10	M 2,5



**Inductive measuring probe Millimar P2004 USB / P2004 A-USB / P2004 B-USB****Accessories**

Order no.	Product description	Product type
4102553	USB-Hub 7-fold industrial model	USB-Hub
4102212	Software interface	MarCom Prof. 5.0
5312800	Multi-gaging software	Cockpit
5313420	Pneumatic Hand-Lifter for 1 Probe	1340/1
5313419	Pneumatic Foot Switch for max. 4 Probes	1340/1F

## Multi-gaging software Millimar Cockpit



### Application:

Smart all purpose software for complex measuring tasks in the production



### Features

- Interactive multitouch Software
- Simple and intuitive user interface
- Userfriendly setup of measuring tasks
- Simple operation via predefined formulas for most common features
- Management of measuring tasks
- Assignment of pictures or drawings per measuring task
- Static and dynamic measurements
- Supported by graphical control elements
- Live-indication of measuring values and features
- Digital and Analog displays for simultaneous indication of up to 128 features
- Connection of Mahr digital probes (USB) as well as Mahr instruments with USB-interface
- Connection of Mahr instruments with Integrated-Wireless
- Data export in MS-Excel or in qs-Stat-format (dfq, dfx or dfd-format)
- Password protected user levels (3 levels)
- Online-help (operating instruction) integrated in Cockpit software
- **Scope of delivery:** Mahr License Key, Installation media, Operating instruction (Online-help)

### Technical Data

Order-no.	5312800	
Product type	Cockpit	
Display	Vertical column display Horizontal column display Analog display respectively circular scale Digital display Type of display selectable per feature	
Range of digital display	mm	± 1000
Range of analog display	µm	± 10000, ± 5000, ± 2000, ± 1000, ± 500, ± 200, ± 100, ± 50, ± 20, ± 10
Resolution	µm	0,01
Length units	mm, µm, inch	
Angle units	degree, radian	
Tolerance display	Upper and lower tolerance limit (per feature) Upper and lower warning limit (per feature)	
Compatibility	USB, Integrated Wireless	
Measuring combination	Predefined probe combinations for most common features Entry of input combinations via versatile formula editor	
Features	128	
Type of feature	length, angle, nondimensional	
Dynamic functions	MAX, MIN, MAX-MIN, MAX+MIN	
Classification	max. 20 classes	
Measuring range	mm	dependend on measuring instrument
Number of connectable wireless receivers for i-stick	1	
Number of connectable measuring instruments with integrated wireless	8	
Number of connectable measuring instruments with USB interface	64	
Data export	qs-Stat, Excel	
Languages:	German, English	
System requirements:	MS Windows 10, MS Windows 8, MS Windows 7, 2 available USB 2.0 ports	

## Multi-gaging software Millimar Cockpit

## Accessories

Order no.	Product description	Product type	For measuring instrument
4102357	Data Connection Cable USB (2 m) inkl. Software MarCom Std.	16 EXu	MarCal 16 ER, 16 EWR, 18 EWR, 30 EWR, 30 EWN Digimar 814 SR Micromar 40 ER, 40 EWR, 40 EWW, 40 EWS, 44 EWR, 46 EWR MarCator 1075 R, 1086 R, 1086 Ri, 1087 R, 1087 Ri, 1087 BR, 1087 BRi MarSurf PS1, M300, M300C
4346023	Data connection cable USB (2 m) inkl. Software MarCom Std.	2000 usb	Digimar 816 CL MarCator 1088, 1088 W Millimess 2000, 2001, 2100, $\mu$ Maxum II
4305121	Data Connection Cable USB (2 m) inkl. Software MarCom Std.	800 EWu	MarCal 31 EW MarTest 800 EW, 800 EWL
4102331	Adapter Cable RS232-USB (1 m) inkl. Software MarCom Std.		Millimar C1208, C1216, 1240, C1245, S1840, S1841, X1715, X1745 (in conjunction with cable 7024634)
4102330	Adapter Cable RS232-USB (1 m) inkl. Software MarCom Std.	Opto usb	Digimar M814 (in conjunction with cable 4102510) Multimar 25 ES (in conjunction with cable 4102510) MarTool 106 ES (in conjunction with cable 4102510)
4102333	Adapter Cable RS232-USB (1 m) inkl. Software MarCom Std.	817 usb	Digimar 817 CLM (in conjunction with cable 7024634)
4102220	Receiver incl. Software MarCom Std.	i-Stick	MarCal 16 EWri / 30 EWri MarCator 1086 Ri / 1087 Ri / 1087 BRi
5326010	Digital probe, $\pm 2$ mm	P2004 USB	
5323029	Digital probe, $\pm 2$ mm	P2004 A-USB	
5323039	Digital probe, $\pm 2$ mm	P2004 B-USB	



i-Stick